

Bridge Unit Type 1232
(B482)

Bridge Unit Type 1232 (B482)

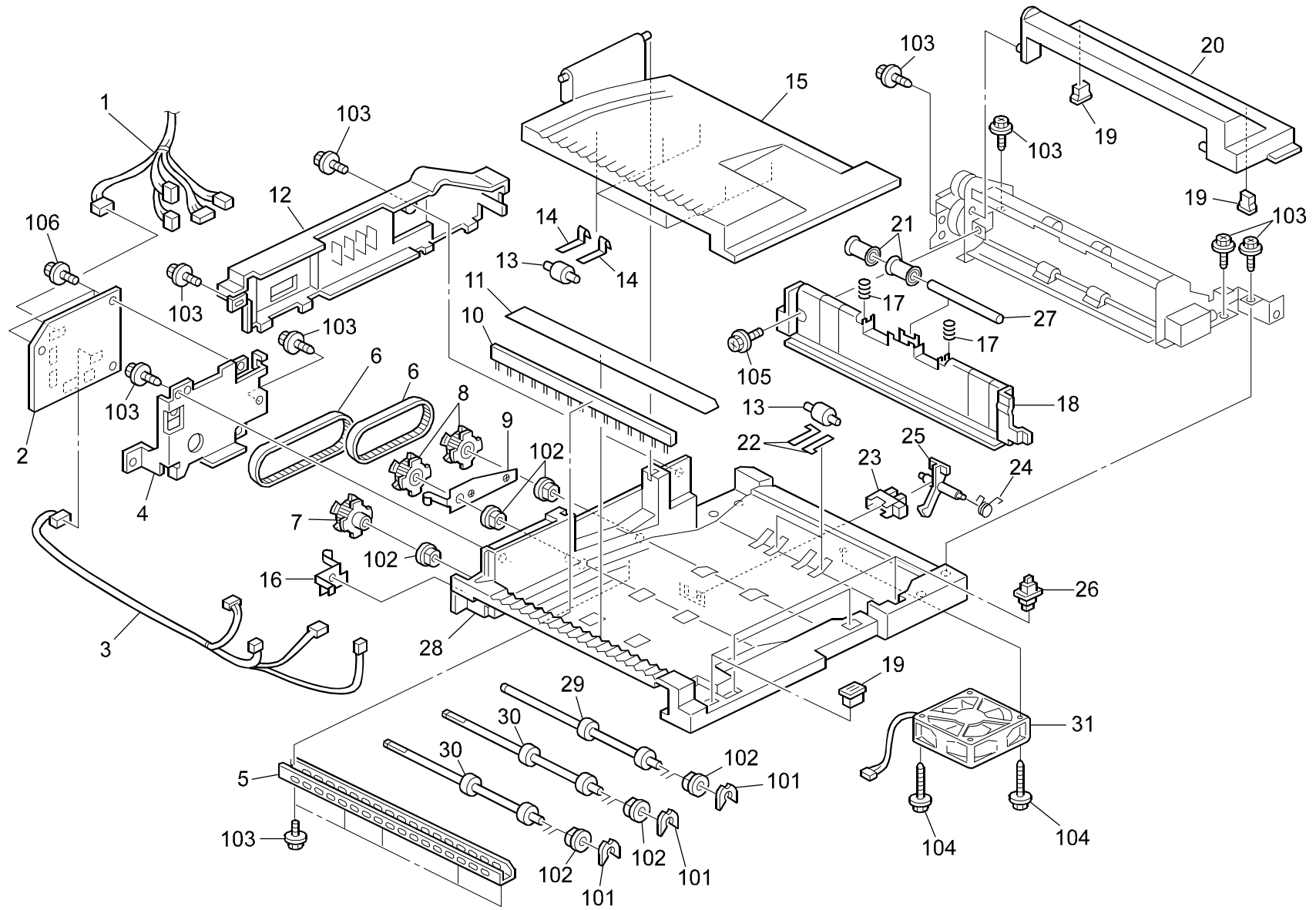
PARTS CATALOG

This catalog gives the numbers and names of parts on this machine.

1.BRIDGE UNIT 1 (B482).....	2
2.BRIDGE UNIT 2 (B482).....	4
PARTS INDEX	7

July ,25 ' 2002

1.BRIDGE UNIT 1 (B482)

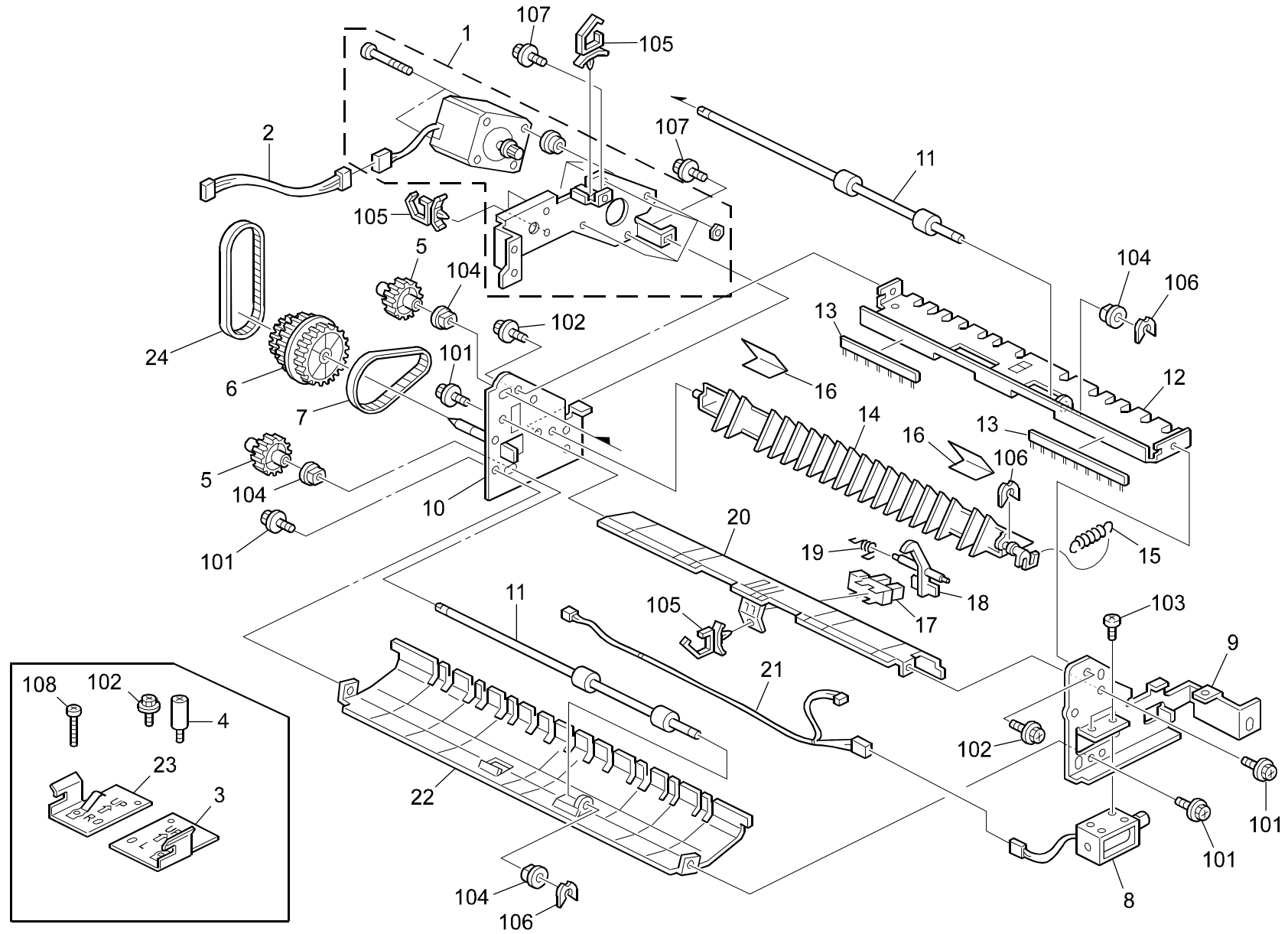


1.BRIDGE UNIT 1 (B482)

Index No.	Part No.	Description	Q'ty Per Assembly
1	B482 5437	Interface Harness	1
2	B482 5130	Control Board	1
3	B482 5468	Transport Harness	1
4	B482 3905	Control Bracket	1
5	A688 3913	Support Plate	1
6	AA04 3519	Timing Belt - S2M 250	1
7	AB03 0719	Roller Clutch	1
8	AB03 0632	Transport Roller Pulley	2
9	B482 3837	Right Ground Plate	1
10	AA12 0111	Discharge Brush	1
11	B482 3835	Guide Sheet	1
12	B482 3885	Rear Cover	1
13	AF04 0558	Driven Roller	8
14	B482 3876	Spring Plate	12
15	B482 3880	Exit Tray Sub Ass'y	1
16	B482 3838	Left Ground Plate	1
17	AA06 3596	Compression Spring - Exit Roller	2
18	B482 3872	Exit Lower Cover	1
19	AA02 1030	Magnet Catch	4
20	B482 3891	Right Cover	1
21	AF04 0590	Exit Driven Roller	2
22	A897 6291	Spring Plate Pressure Right	4
23	AW02 0120	Photointerruptor - Flat	1
24	AA06 6650	Spring	1
25	B482 3931	Sensor Connecting Feeler	1
26	AW50 0023	Push Switch	2
27	AA14 0808	Driven Shaft	1
28	B482 3830	Frame	1
29	AF02 0557	Transport Roller - 3rd	1
30	AF02 0556	Transport Roller - 2nd	2
31	AX64 0085	Fan Motor - DC 1.68w	1

Index No.	Part No.	Description	Q'ty Per Assembly
101	0805 0089	Retaining Ring - M4	
102	0805 3480	Bushing - 6mm	
103	0450 3008B	Tapping Screw - M3x8	
104	0450 3030B	Tapping Screw - M3x30	
105	0451 3008H	Tapping Screw - M3x8	
106	0451 3006B	Tapping Screw - M3x6	

2.BRIDGE UNIT 2 (B482)



2.BRIDGE UNIT 2 (B482)

Index No.	Part No.	Description	Q'ty Per Assembly
1	B482 3861	Stepper Motor - Ass'y	1
2	B482 5469	Stepper Motor Harness	1
3	B482 6105	Coupling Rear Bracket	1
4	G020 1327	Knob Screw - M3	1
5	AB01 1448	Gear - 33Z	2
6	AB03 3096	Timing Pulley	1
7	AA04 3942	Timing Belt - S2M 210mm	2
8	B482 3819	DC Solenoid - 24V 4.0N	1
9	B482 3804	Front Side Plate	1
10	B482 3805	Rear Side Plate	1
11	AF02 0555	Transport Roller	2
12	B482 3808	Upper Guide Plate	1
13	AA12 0110	Discharge Brush	2
14	AF02 5040	Gate Pawl	1
15	AA06 0883	Tension Spring - Exchange Powl	1
16	B482 3815	Gare Pawl Shield	1
17	AW02 0120	Photointerruptor - Flat	1
18	B482 3921	Exit Sensor Feeler	1
19	AA06 6650	Spring	1
20	B482 3810	Middle Guide Plate	1
21	B482 5467	Exit Harness	1
22	B482 3809	Lower Guide Plate	1
23	B482 6100	Coupling Front Bracket	1
24	AA04 3519	Timing Belt - S2M 250	1

Index No.	Part No.	Description	Q'ty Per Assembly
101	0451 3006B	Tapping Screw - M3x6	
102	0802 5276	Tapping Screw With Washer - M3x6	
103	0313 0040B	Philips Pan Head Screw - M3x4	
104	0805 3480	Bushing - 6mm	
105	1105 0511	Harness Clamp - LWS-0306ZC	
106	0805 0089	Retaining Ring - M4	
107	0450 3008B	Tapping Screw - M3x8	
108	0354 0140H	Screw - M4x14	

Parts Index

Parts Index

Part No.	Description	Page and Index No.
B482 3804	Front Side Plate	5 - 9
B482 3805	Rear Side Plate	5 - 10
B482 3808	Upper Guide Plate	5 - 12
B482 3809	Lower Guide Plate	5 - 22
B482 3810	Middle Guide Plate	5 - 20
B482 3815	Gare Pawl Shield	5 - 16
B482 3819	DC Solenoid - 24V 4.0N	5 - 8
B482 3830	Frame	3 - 28
B482 3835	Guide Sheet	3 - 11
B482 3837	Right Ground Plate	3 - 9
B482 3838	Left Ground Plate	3 - 16
B482 3861	Stepper Motor - Ass'y	5 - 1
B482 3872	Exit Lower Cover	3 - 18
B482 3876	Spring Plate	3 - 14
B482 3880	Exit Tray Sub Ass'y	3 - 15
B482 3885	Rear Cover	3 - 12
B482 3891	Right Cover	3 - 20
B482 3905	Control Bracket	3 - 4
B482 3921	Exit Sensor Feeler	5 - 18
B482 3931	Sensor Connecting Feeler	3 - 25
B482 5130	Control Board	3 - 2
B482 5437	Interface Harness	3 - 1
B482 5467	Exit Harness	5 - 21
B482 5468	Transport Harness	3 - 3
B482 5469	Stepper Motor Harness	5 - 2
B482 6100	Coupling Front Bracket	5 - 23
B482 6105	Coupling Rear Bracket	5 - 3

Part No.	Description	Page and Index No.
A688 3913	Support Plate	3 - 5
A897 6291	Spring Plate Pressure Right	3 - 22
G020 1327	Knob Screw - M3	5 - 4

Part No.	Description	Page and Index No.
AA02 1030	Magnet Catch	3 - 19
AA04 3519	Timing Belt - S2M 250	3 - 6
AA04 3519	Timing Belt - S2M 250	5 - 24
AA04 3942	Timing Belt - S2M 210mm	5 - 7
AA06 0883	Tension Spring - Exchange Powl	5 - 15
AA06 3596	Compression Spring - Exit Roller	3 - 17
AA06 6650	Spring	5 - 19
AA06 6650	Spring	3 - 24
AA12 0110	Discharge Brush	5 - 13
AA12 0111	Discharge Brush	3 - 10
AA14 0808	Driven Shaft	3 - 27
AB01 1448	Gear - 33Z	5 - 5
AB03 0632	Transport Roller Pulley	3 - 8
AB03 0719	Roller Clutch	3 - 7
AB03 3096	Timing Pulley	5 - 6
AF02 0555	Transport Roller	5 - 11
AF02 0556	Transport Roller - 2nd	3 - 30
AF02 0557	Transport Roller - 3rd	3 - 29
AF02 5040	Gate Pawl	5 - 14
AF04 0558	Driven Roller	3 - 13
AF04 0590	Exit Driven Roller	3 - 21
AW02 0120	Photointerruptor - Flat	3 - 23
AW02 0120	Photointerruptor - Flat	5 - 17
AW50 0023	Push Switch	3 - 26
AX64 0085	Fan Motor - DC 1.68w	3 - 31

Part No.	Description	Page and Index No.
0313 0040B	Philips Pan Head Screw - M3x4	5 -103
0354 0140H	Screw - M4x14	5 -108
0450 3008B	Tapping Screw - M3x8	5 -107
0450 3008B	Tapping Screw - M3x8	3 -103
0450 3030B	Tapping Screw - M3x30	3 -104
0451 3006B	Tapping Screw - M3x6	5 -101
0451 3006B	Tapping Screw - M3x6	3 -106
0451 3008H	Tapping Screw - M3x8	3 -105
0802 5276	Tapping Screw With Washer - M3x6	5 -102
0805 0089	Retaining Ring - M4	5 -106
0805 0089	Retaining Ring - M4	3 -101
0805 3480	Bushing - 6mm	5 -104
0805 3480	Bushing - 6mm	3 -102
1105 0511	Harness Clamp - LWS-0306ZC	5 -105